

# Technical data sheet

Product features



## Cooking range glass ceramic drop-in electric 2x drop-in plate 400 V

<b>Model</b>	<b>SAP Code</b>	00007446
PCCD-64ET	<b>A group of articles - web</b>	Stoves



- Device type: Electric unit
- Power consumption of the zone 1 [kW]: 2,5
- Power consumption of the zone 2 [kW]: 2,5
- Protection of controls: IPX5
- Material: Stainless steel

<b>SAP Code</b>	00007446	<b>Loading</b>	400 V / 3N - 50 Hz
<b>Net Width [mm]</b>	400	<b>Number of zones</b>	2
<b>Net Depth [mm]</b>	600	<b>Power consumption of the zone 1 [kW]</b>	2,5
<b>Net Height [mm]</b>	50	<b>Power consumption of the zone 2 [kW]</b>	2,5
<b>Net Weight [kg]</b>	10.00	<b>Ceramic glass dimensions [mm]</b>	350 x 570
<b>Power electric [kW]</b>	5.000		

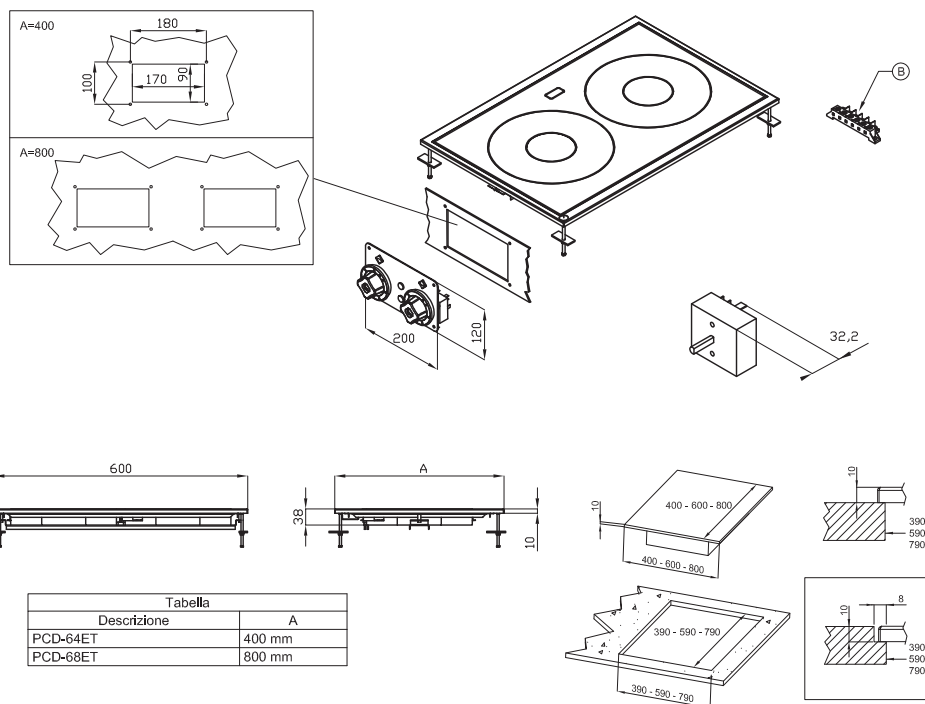
# Technical data sheet

Technical drawing



## Cooking range glass ceramic drop-in electric 2x drop-in plate 400 V

<b>Model</b>	<b>SAP Code</b>	00007446
PCCD-64ET	<b>A group of articles - web</b>	Stoves



A	Data plate		B	Electrical connection	
---	------------	--	---	-----------------------	--

**MODEL:** PCCD-64ET  
**DIMENSIONS:** cm. 40x 60x 5h  
**ELECTRIC POWER:** 5 kW  
**VOLTAGE:** 400V~2N / 230V~3 / 230V~  
**FREQUENCY:** 50/60 Hz



**kg:** 12  
**m<sup>3</sup>:** 0.127  
**mm:** 430x630x470

# Technical data sheet

## Product benefits



### Cooking range glass ceramic drop-in electric 2x drop-in plate 400 V

<b>Model</b>	<b>SAP Code</b>	00007446
PCCD-64ET	<b>A group of articles - web</b>	Stoves

1

#### **Glass ceramic surface**

quick warm-up  
uniform heating and residual heat indicator

- saving time in food preparation
- no reheating and long cooking times
- material does not rust

2

#### **Internal thermostatic plate protection**

longer service life of the plates

- no overheating of the plates and no cracking

3

#### **Degree of protection of the control elements IPX5**

maintenance-free system  
resistance to splash water  
long life

- savings on service interventions
- easy cleaning and maintenance of equipment

4

#### **All-stainless design**

the material does not cut  
wear resistance of the material  
long life

- savings on service interventions
- easy cleaning and maintenance of equipment

5

#### **Hygienic moldings of the top plate**

absence of sharp corners and edges (potential places where dirt could stick)  
smooth transitions

- easy quick cleaning

6

#### **Variability**

the possibility of attaching to a fixed plate as part of a monoblock  
the possibility of creating one module  
long life

- cost saving
- space saving
- long service life

# Technical data sheet

Technical parameters



## Cooking range glass ceramic drop-in electric 2x drop-in plate 400 V

<b>Model</b>	<b>SAP Code</b>	00007446
PCCD-64ET	<b>A group of articles - web</b>	Stoves

**1. SAP Code:**

00007446

**2. Net Width [mm]:**

400

**3. Net Depth [mm]:**

600

**4. Net Height [mm]:**

50

**5. Net Weight [kg]:**

10.00

**6. Gross Width [mm]:**

430

**7. Gross depth [mm]:**

630

**8. Gross Height [mm]:**

470

**9. Gross Weight [kg]:**

12.00

**10. Device type:**

Electric unit

**11. Construction type of device:**

Drop-in

**12. Power electric [kW]:**

5.000

**13. Loading:**

400 V / 3N - 50 Hz

**14. Protection of controls:**

IPX5

**15. Material:**

Stainless steel

**16. Worktop type:**

Molded - comfortable cleaning maintenance

**17. Worktop material:**

AISI 304

**18. Worktop Thickness [mm]:**

2.00

**19. Number of zones:**

2

**20. Power consumption of the zone 1 [kW]:**

2,5

**21. Power consumption of the zone 2 [kW]:**

2,5

**22. Number of power control stages:**

6

**23. Service accessibility:**

From the front by removing the front panel and waste fluid containers

**24. Safety element:**

internal thermostatic protection of the hotplate against overheating

**25. Safety thermostat:**

Yes

**26. Number of burners/hot plates:**

2

# Technical data sheet

Technical parameters



## Cooking range glass ceramic drop-in electric 2x drop-in plate 400 V

<b>Model</b>	<b>SAP Code</b>	00007446
PCCD-64ET	<b>A group of articles - web</b>	Stoves

### 27. Type of electric cooking zones:

Glass ceramic

### 29. Cross-section of conductors CU [mm<sup>2</sup>]:

1

### 28. Ceramic glass dimensions [mm]:

350 x 570